

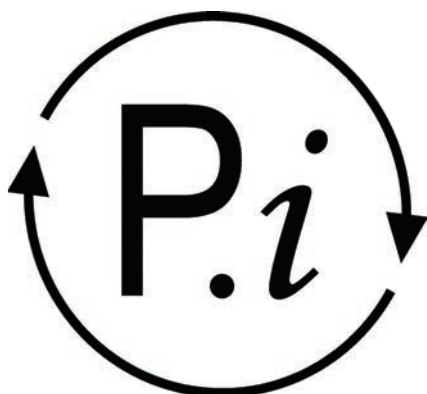
Uniclass	EPIC
L411:P43	D11:X421
CI/SfB	
(31-5) Xh4	



comar
ARCHITECTURAL ALUMINIUM SYSTEMS

comar7P.i FSD

A thermally broken Folding Sliding Door, with open-in and open-out folding options and the capacity to have 8 doors folding and sliding in one direction.



complementing architecture

comar



Comar 7P.i Folding Sliding Door System

Smooth operation and solutions to meet the design brief, the aluminium Comar 7P.i Folding/Sliding Door (FSD) system offers a myriad of possibilities for commercial or residential projects.

Comar 7P.i FSD provides a versatile moveable wall that allows space and light into any project. Even in the winter months the glazed facade offers light as well as keeping the building insulated through the trade-marked Comar 7P.i thermal break technology.

By merging aesthetically pleasing features such as robust, yet slim, aluminium profiles with feature-laden operational gearing from the Comar 7P.i FSD system, you have the capability to design open-in or open-out stacking doors, folding and sliding from the top or the bottom rollers. Open-in stacking doors are advisable when the doors must operate within the building plane; open-out stacking doors can be used so the doors do not interfere with interior furnishings. If bottom rolling options are required the gear is housed in the floor which offers uninterrupted traffic flow compliant with the very latest disability and equalities act legislation. Top-hung operating gear

would be selected for larger sized doors. For additional safety the doors when folding offer a finger protection solution.

To cater for different apertures the Comar 7P.i FSD offers from 2 to 8 sliding doors in either direction with an optional rebated door for day to day ease of entry. Each leaf can be up to 1100mm wide, creating market leading potential spans with minimum sight-lines.

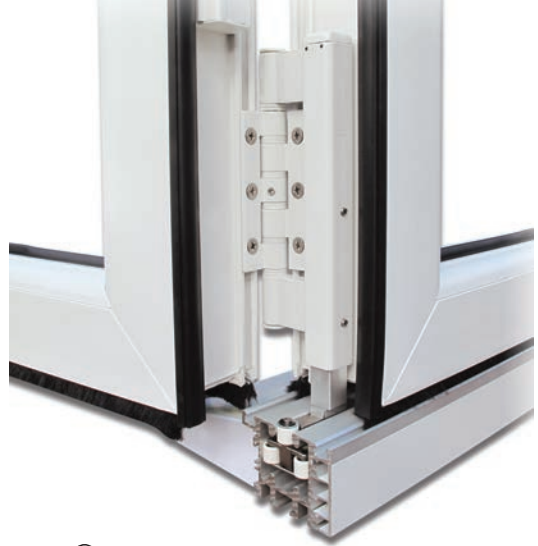
Door heights can be up to 2400mm, but depending on wind loading larger sizes can be created, this is especially useful for floor to ceiling glazing or to create an entrance of distinction.

Glazing sizes of up to 62mm are catered for, which means that triple glazed or acoustic glasses can be specified as well as panels or standard double glazed units.

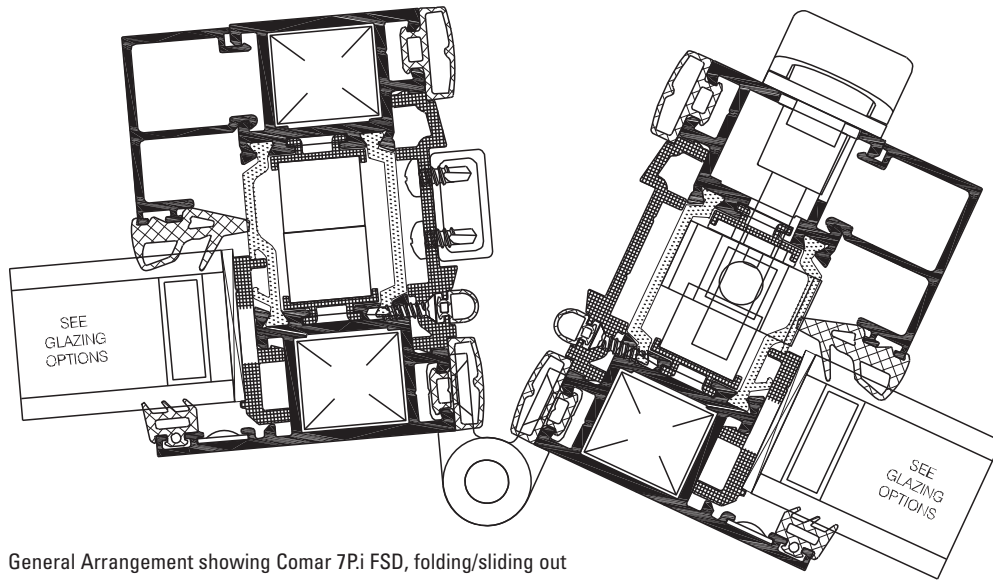
Due to the trade-marked Pi thermal efficiency U-values are well below the required Building Regulations targets.

The doors and jamb are both adjustable to enable long-term smooth operation and to adapt to different building tolerances.

on-time

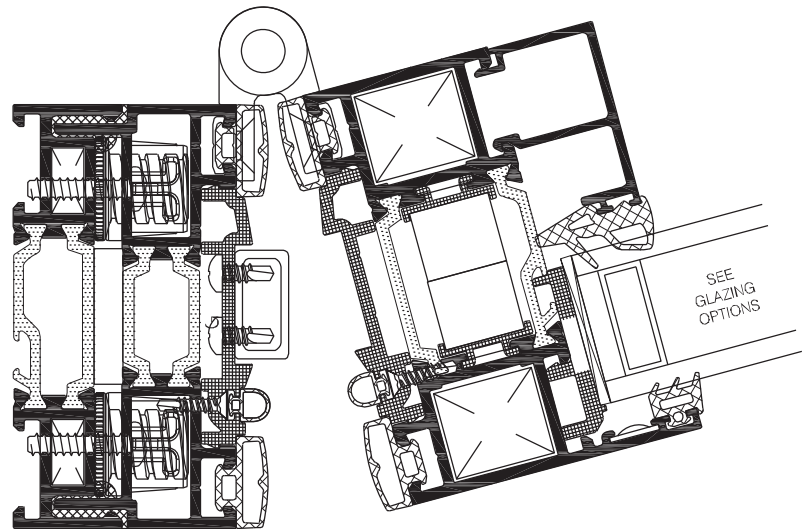


Comar 7P.i FSD Folding-out



General Arrangement showing Comar 7P.i FSD, folding/sliding out

Comar 7P.i FSD Folding-in



General Arrangement showing Comar 7P.i FSD, folding/sliding in

U-values

		Super Spacer		
		0.11	0.05	0.03
Centre Pane	1.3	1.74	1.59	1.54
	1.2	1.67	1.51	1.47
	1.1	1.59	1.43	1.39

Based on 2m x 2m, 2 leaf stacking in one direction

Glazing Sizes

	Minimum	Maximum
Each Leaf	17mm	62mm

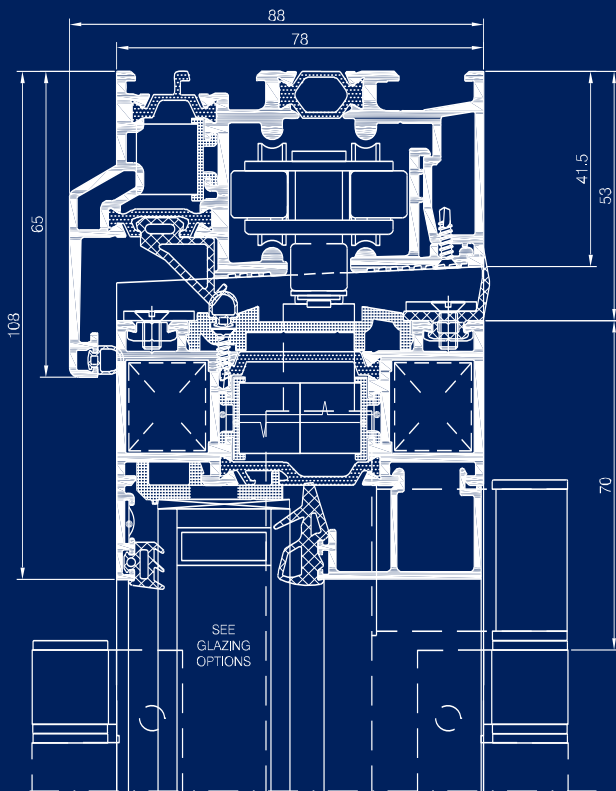
Size Limitations

	Width	Height	Weight Limitation
Each Leaf	1100mm	2400mm*	80Kgs

*Larger sizes up to 3000mm available, please consult with our Technical Department

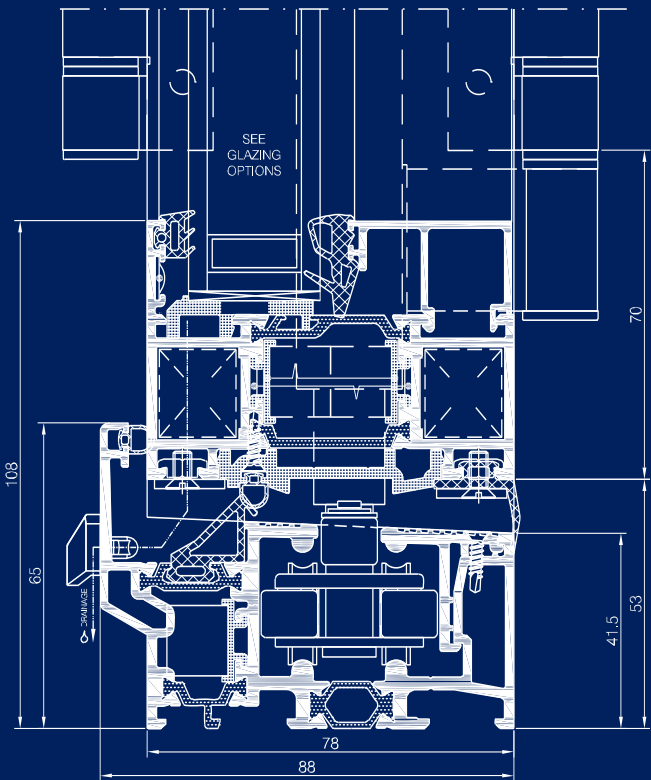
solution

Comar 7P.i FSD Head Detail



General Arrangement showing Comar 7P.i FSD, folding/sliding head detail.

Comar 7P.i FSD Sill Detail



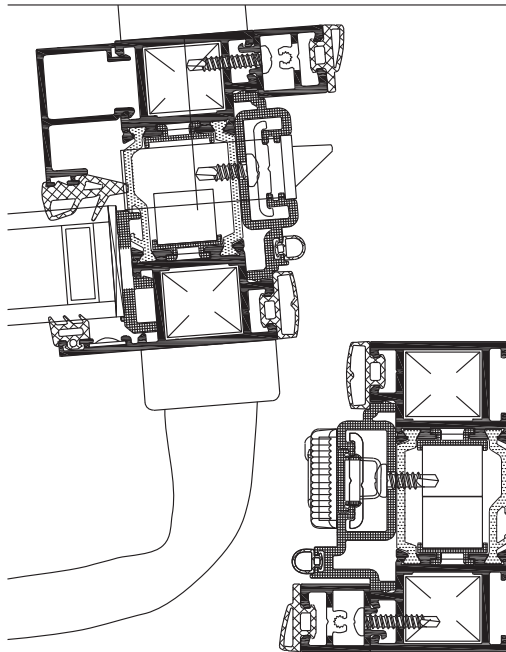
General Arrangement showing Comar 7P.i FSD, discreet folding/sliding sill detail.



solution

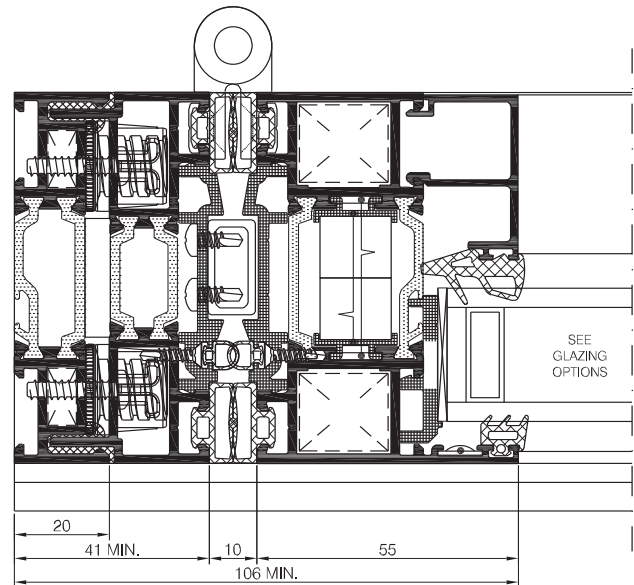


Comar 7P.i FSD
Locking Stile



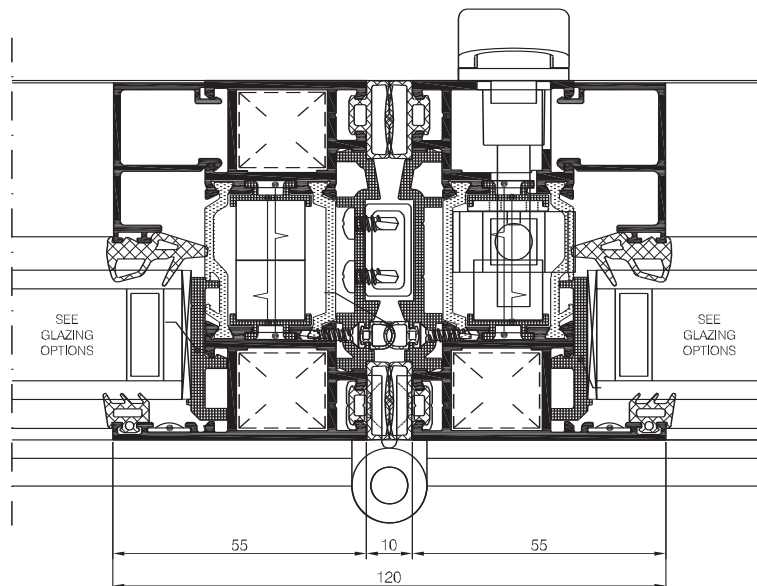
General Arrangement showing Comar 7P.i FSD, folding/sliding locking to slave leaf

Comar 7P.i FSD
Adjustable Jamb



General Arrangement showing Comar 7P.i FSD, folding/sliding adjustable jamb detail

Comar 7P.i FSD Mullion Detail



General Arrangement showing Comar 7P.i FSD, floating mullion for strength



Technical Back-Up

An experienced Sales Team covers the UK while the Technical Department offers an unsurpassed design and installation advice service to designers, specifiers and fabricators. Simply call: +44 (0)20 8685 9685

For More Information

To find out more about this or any other Comar Architectural Aluminium System, or to obtain your personal copies of the Comar Technical Manuals, call: +44 (0)20 8685 9685 or fax on: +44 (0)20 8646 5096

The Parkside Group Ltd

Unit 5, The Willow Centre
17 Willow Lane, Mitcham
Surrey CR4 4NX

Tel: +44 (0)20 8685 9685
Fax: +44 (0)20 8646 5096
Email: sales@parksidegroup.co.uk
Web: www.comar-alu.co.uk